



**NAPCO**  
SECURITY SYSTEMS INC.

6 DiTomas Court  
Copiague, New York 11726

Telephone: (518) 842-9400  
TWX: 510-227-9854

Toll Free:  
Sales and Repairs: (800) 645-9445  
Technical Service: (800) 645-9449

In New York for Sales,  
Repairs and Technical Service:  
(800) 832-5688

**OPERATION and INSTALLATION INSTRUCTIONS**

**RP-1003L  
REMOTE  
KEYSWITCH STATION**

© NAPCO, 1984

W1259A 8/84

When connected to a Napco MAGNUM ALERT-800, CCI-8 or CCI-8DD control center, the RP-1003L Keyswitch Station provides Mini-Sounder and light indication, and manual shunting capability. (The keyswitch must be obtained separately.)

**TERMINAL CONNECTIONS**

RP-1003L WIRE COLOR	MA-800, CCI-8DD, CCI-8 TERMINAL
White (one of two)	1
Green	5
Blue	6
Violet	7
Gray	8
One keyswitch wire	9
Black	10
One White wire and one keyswitch wire	Splice to Green Wire

**SHUNTING FROM  
KEYSWITCH STATION**

Press S button, then use key to arm.

**REMOTE LIGHT INDICATION**

ARMED/MEMORY (red)

- \* ON Steady - Armed
- \* Regular Interval Flash - Alarm has occurred. Control Center still armed.
- \* Irregular Interval Flash - Control Center disarmed. The number of flashes identify which zone or zones were violated.

**ZONE STATUS (Green)**

- \* ON Steady - Zones OK.
- \* Irregular Interval Flash - Control Center disarmed. The number of flashes identify which zone or zones have trouble.

SHUNT (Yellow)

- \* ON - Armed with zone shunted.

**MINI- SOUNDER**

When Arming

- \* 4-second alert - Partial protection: zones auto-shunted or 24 hour zone in alarm.
- \* Continuous alert - priority zone trouble.

When Disarming

- \* Continuous alert - entry period delay.

**ENABLING SYSTEM  
FROM KEYSWITCH STATION**

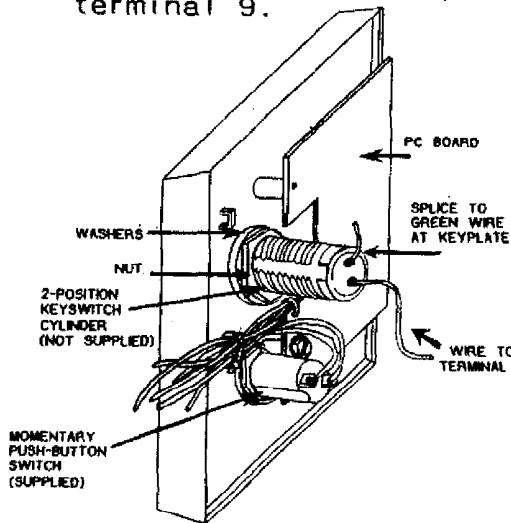
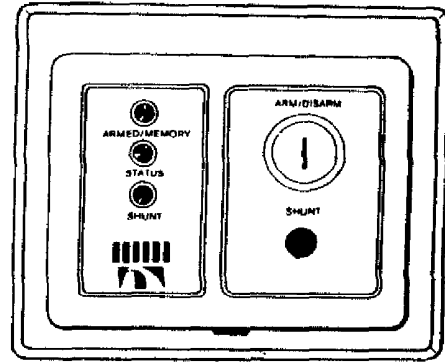
1. Arm system, then disarm to initialize indicator lights.
2. Red ARMED/MEMORY comes on when armed, green STATUS light comes on when disarmed.

1 (Continued on reverse side.)

## MOUNTING

### PREPARE FOR MOUNTING

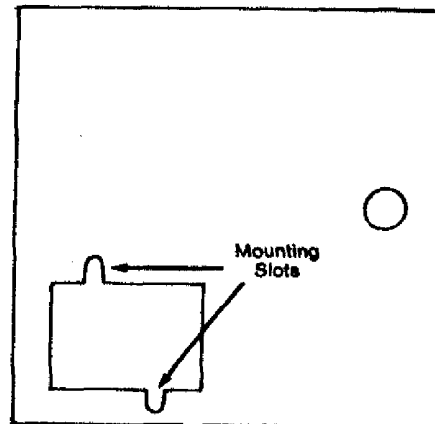
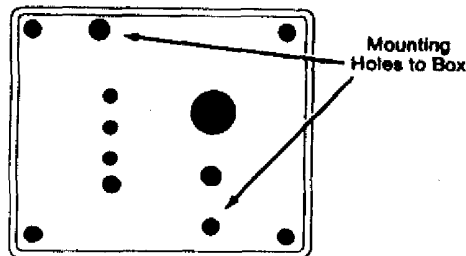
1. Using screwdriver in slot, pry off cover of keyswitch station assembly.
2. Insert keyswitch and connect a wire to the key terminal. Then splice it to the green wire at keyplate.
3. The other keyswitch terminal will be wired to control center terminal 9.



**NOTE:** Use adjustable pliers to tighten the nut.

### MOUNTING ON CONTROL CENTER DOOR

1. Use screwdriver to remove knockout in front door.
2. Align mounting holes on keyplate with mounting slots in cabinet door.
3. Secure in place with #6 screws and nuts.
4. Replace keyplate cover.



### FLUSH MOUNTING IN WALL USING RPB-2

1. Position keyplate on RPB-2 box.
2. Use mounting holes to secure keyplate to junction box with #6 screws.
3. Replace keyplate cover.

**NOTE:** Four outside holes (A) can alternatively be used for flush mounting directly in wall.

